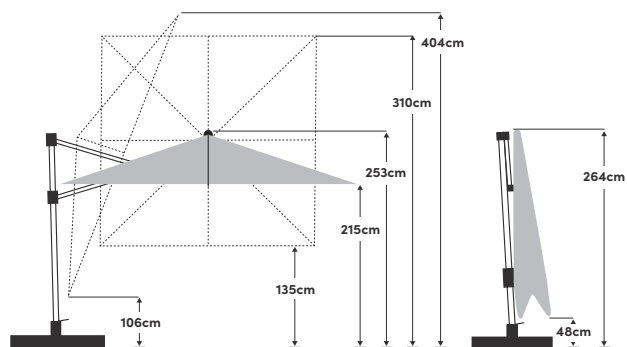


Varioflex Solar LED 300 × 300cm



300 × 300cm

The listed measures represent extrapolated average values that may be slightly different on the product ($\pm 2\% \pm 5$ cm). Height dimensions are based on cross base. Ground socket minus 9 cm.

Special functions	LED light, solar panel, 6–8h lighting time	Fabric	100% polyester 180g/m ² , water-repellent
Opening/closing	With crank handle	Lightfastness	6 (160 days)
Tilting/rotating	Towards the mast and sideways in two directions	UV protection	> 98%
Height adjustment	No	Flounce	No
Rotation	360° with turning base	Wind vent	Yes
Mast material	Aluminium	Fastener	Sewn into the fabric
Strut material	Aluminium	Use	Patio, lawn
Number of struts	8	Included in the scope of delivery	Protective cover, turning cross base
Mast size	90 × 65mm	Also available	Ground socket
Strut colour	Powder coating in silver texture	Max. wind speed:	40km/h (With fixed ground anchoring & canopy in horizontal position)

Recommended base weight	min. 120kg
Packaging dimensions	258 × 40 × 19.5cm
Weight including packaging	38kg

Size	Colour	Article	EAN
300 × 300cm	Ecru 040	61800301631040	7630046525958
300 × 300cm	Light taupe 053	61800301631053	7630046525965
300 × 300cm	Light grey 013	61800301631013	7630046529987
300 × 300cm	Stone grey 057	61800301631057	7630046525972