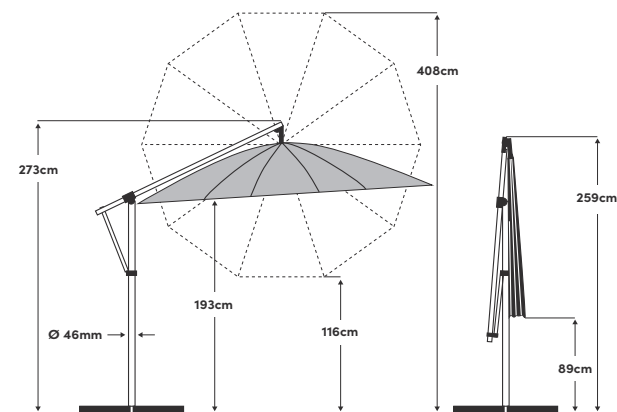


Pendolino Ø 300 cm



Opening/closing	With crank handle	Fabric	100% polyester 180g/m ² , water-repellent
Rotating	Steplessly in two directions	Lightfastness	6 (160 days)
Height adjustment	No	UV protection	> 98%
Rotation	360° in the base	Flounce	No
Mast material	Aluminium	Wind vent	No
Strut material	Steel	Fastener	Sewn into the fabric
Number of struts	10	Use	Patio, lawn
Mast size	46 mm	Included in the scope of delivery	Protective cover, cross base
Strut colour	Powder coating in platinum	Also available	Ground socket

Recommended base weight	min. 120 kg
Packaging dimensions	253 × 24 × 12 cm
Weight including packaging	23 kg

Size	Colour	Article	EAN
Ø 300 cm	Ecru 040	63000300621040	7640125032833
Ø 300 cm	Light taupe 053	63000300621053	7640125032840